



Daily Cleaning Procedure

AIRACK LITE Care Card

STEP 1

Isolate the electrical supply and remove the Dryer Cover from the base.

STEP 2

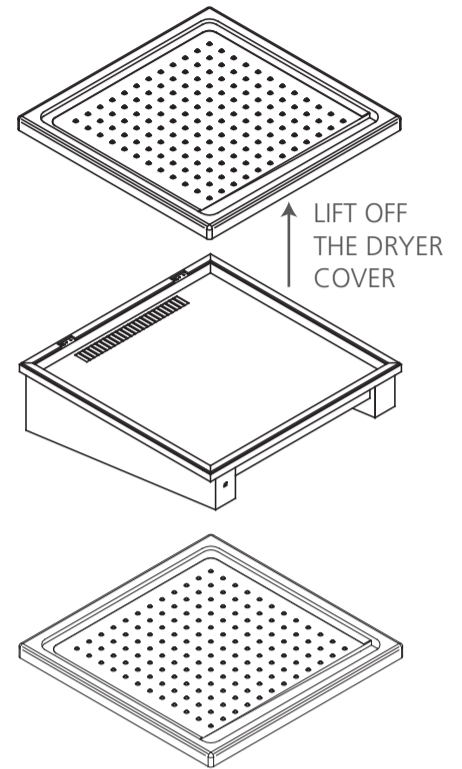
Clean the top of the cover using a damp cloth. Clean the underside of the cover using a damp cloth, paying particular attention to the air nozzles and base matting surfaces.

STEP 3

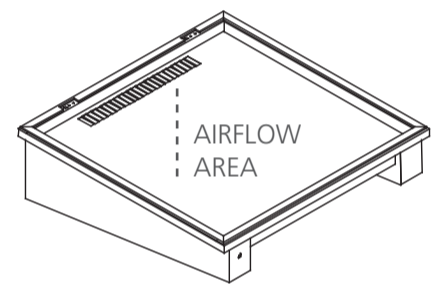
Clean the airflow area using a damp cloth.

STEP 4

Reassemble the unit, reconnect the electrical supply and operate several cycles before use.



Do not use proprietary cleaning agents. The odours will contaminate the glasses.



Cautionary Notes

- ✓ Always use a full load of glasses and place the basket centrally onto the Airack (top is recessed for location – Fig 1).
- ✓ Ensure the correct orientation of compartmented baskets. The glasses should be tilted forward to the front of the Airack (Fig 2).
- ✓ Never use the Airack for dregs, or liquid disposal.
- ✓ Never use the Airack for any other purpose other than drying glassware.

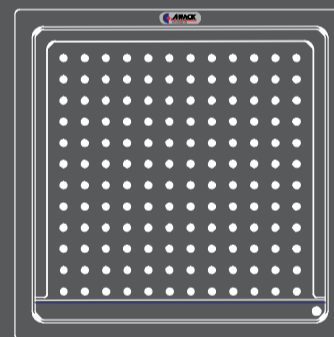


FIG 1

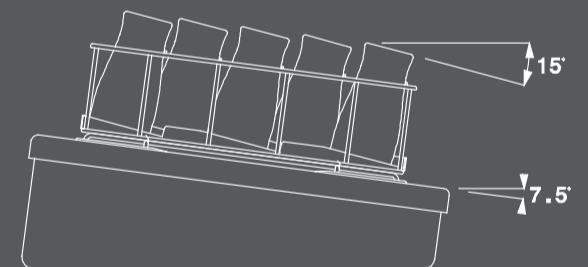


FIG 2

Using The Airack Lite

1

Switch on the power to the Airack.

3

At the end of the drying cycle the unit will automatically switch off and will remain off until the timer is switched on again.

2

Immediately after the washing process, place a full basket of glasses on top of the unit and rotate the timer to the desired time to start the drying cycle.

4

When the drying cycle is complete, remove the basket of clean dry glasses for immediate use, or to storage.

If You Require Help

✓ Owners Manual

Refer to CD ROM for more information and advice



✓ Service and Sales

Tel: 01933 666244



✓ Website and Email

www.clenaware.co.uk
info@clenaware.co.uk

